



# MAYTAG® COMMERCIAL NEPTUNE® HIGH-EFFICIENCY WASHER

## MAH21PS



**THE BEST WARRANTY  
IN THE BUSINESS —  
5 YEARS ON ALL PARTS.**

### OUR FASTEST-SELLING WASHER

Maytag® Commercial Neptune® high-efficiency washers use less water and energy than conventional washers, cutting your utility costs to increase your profits.

### MICROPROCESSOR CONTROLS

Maytag® Computer Trac® controls give you more flexibility. Plus, the customer-friendly display shows coin countdown and time remaining in cycle.



### FOR YOUR CUSTOMERS:

- High-Speed Extraction Cuts Drying Time
- No-Agitator Design Increases Capacity
- Simple One-Touch Cycle Selection
- Display Counts Down Time Remaining
- Extra-Large Door Opens 180°
- Automatic Detergent, Softener And Bleach Dispenser
- Meets ADA Accessibility Guidelines

### FOR YOUR OPERATION:

- Simple Soft-Mount Design
- Easy-To-Use Service Diagnostics
- Reversible Door
- Optional Audit System
- Debit Card-Compatible Controls

### BUILT-TO-LAST™ FEATURES:

- Porcelain-Enamel Top
- Precision Endurance Drive
- Controlled Induction Motor



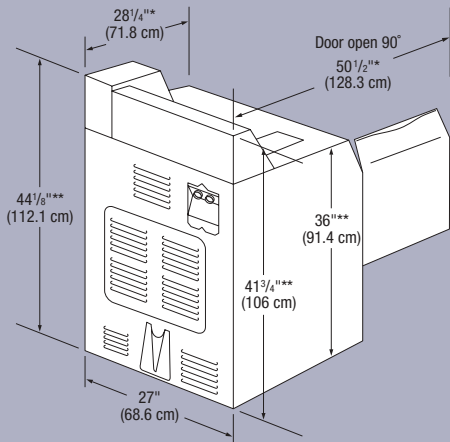
**SAVE UP TO  
50% OR MORE  
EVERY YEAR\* ON ENERGY,  
WATER AND SEWER COSTS.**

\* Based on testing with a 10-pound AHAM load with 30% hot-, 55% warm- and 15% cold-water wash at five turns per day and 365 days per year. Water, gas and sewer costs based on 2000 average U.S. national rates. Individual savings may vary.

LAUNDRY SOLUTIONS YOU CAN *DEPEND* ON.

CLP646

## Neptune® High-Efficiency Washer — MICROPROCESSOR COIN-SLIDE



\* Includes hinge on back of washer.


\*\* Dimensions will vary according to adjustment of leveling legs; add 2" (5.1 cm) minimum.



### 5 YEARS — ALL PARTS

For a period from the date of original purchase through the time listed above, the designated parts that fail in normal commercial use will be repaired or replaced free of charge for the part itself, with the owner paying all other costs, including labor, transportation and customs duty. Chemical damage is excluded from all warranty coverage. See complete warranty for details.



Neptune® High-Efficiency Washer	
<b>WASHER SPECIFICATIONS</b>	
<b>MODEL</b>	MAH21PS 
<b>MOTOR</b>	
Variable-speed, reversible, thermoprotected, high-efficiency, controlled induction	•
Wash — HP (kw)	.25 (.19)
Extract — HP (kw)	.5 (.37)
<b>APPROXIMATE WATER USAGE</b>	
Hot-water cycle — gal. (liters)	5.5 (18.9)
Warm-water cycle — gal. (liters)	2 (9.5)
Overall — gal. (liters)	15 (56.7) <sup>†</sup>
<b>ELECTRICAL RATING</b>	
120V, 50/60 Hz	•
Export models — 240V, 50 Hz and 100V, 50/60 Hz	•
<b>FUSE REQUIREMENT</b>	
Amps	15
<b>CYLINDER</b>	
Volume — cu. ft. (liters)	2.9 (82.1)
Diameter — in. (cm)	21½ (54.6)
Depth — in. (cm)	16 (40.6)
<b>DOOR OPENING</b>	
In. (cm)	15½ (39.4)
<b>WASH SPEED</b>	
Maximum rpm	47 – 51
<b>EXTRACT SPEED</b>	
Maximum rpm	1,000
Maximum g-force	307
<b>OPERATING PRESSURE</b>	
Psi (bar)	15 – 120 (1 – 8)
<b>INLET HOSE</b>	
Ft. (m)	4 (1.22)
<b>DRAIN HOSE</b>	
In. (cm)	42 (109.7)
<b>ADJUSTABLE LEVELING LEGS</b>	
	•
<b>COLOR</b>	
White	•
<b>APPROXIMATE WEIGHT</b>	
Crated — lbs. (kg)	225 (102)
Uncrated — lbs. (kg)	195 (88)
<sup>†</sup> Average based on testing with an 8-pound AHAM load. If optional additional rinse is used, add 5 gallons; not dependent on incoming pressure or time.	
See specific instructions for proper installation. Because of continuous product improvement, Maytag reserves the right to change specifications without notice.	



NEW YORK CITY  
M.E.A.

