



MAYTAG® COMMERCIAL TOP-LOAD WASHER

MAT12PS



**THE BEST WARRANTY
IN THE BUSINESS —
5 YEARS ON ALL PARTS.**

THE LONGEST-LASTING TOP-LOAD WASHER

Maytag® top-load washers last longer than other leading brands, thanks to a simple design that reduces wear. It's another way you can depend on Maytag to maximize your equipment investment.

MICROPROCESSOR COIN-SLIDE

Maytag® Computer Trac® controls let you adjust prices by cycle, day and time and provide simple one-touch cycle selection.



FOR YOUR CUSTOMERS:

- One-Touch Cycle Selection
- Vacuum Fluorescent Display Panel
- Extra-Large Lid And Tub Opening

FOR YOUR OPERATION:

- Accepts A Variety Of Slides
- Easy-To-Program Computer Trac® Controls
- Self-Diagnostics Reduce Service Costs
- Front Access For Easy Self-Service
- Optional Audit System With Two-Way Data Communication

BUILT-TO-LAST™ FEATURES:

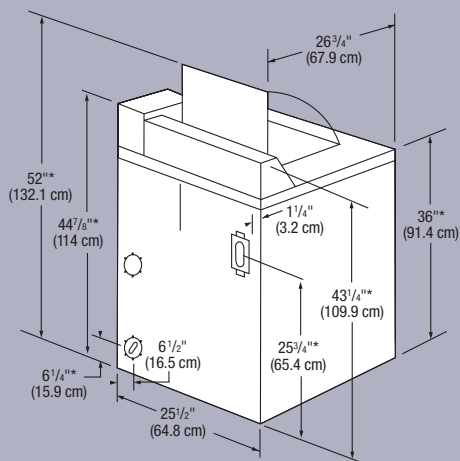
- Dependable Drive® Orbital Transmission
- Poly-Pump™ Polypropylene Pump Can't Rust
- Premium Porcelain-Enamel Top
- Quad Coat™ Cabinet Protection
- Heavy-Duty Leveling Legs
- The Best Warranty In The Business

**#1 PREFERRED
TOP-LOAD
WASHER BRAND BY LAUNDRY
STORE OWNERS ACROSS
AMERICA.**

LAUNDRY SOLUTIONS YOU CAN *DEPEND* ON.

CLP598

Top-Load Washer — MICROPROCESSOR COIN-SLIDE



* Dimensions will vary according to adjustment of leveling legs; add 1/2" (1.3 cm) minimum.



5 YEARS* — ALL PARTS

For a period from the date of original purchase through the time listed above, the designated parts that fail in normal commercial use will be repaired or replaced free of charge for the part itself, with the owner paying all other costs, including labor, transportation and customs duty. Chemical damage is excluded from all warranty coverage. See complete warranty for details.



	Top-Load Washer
WASHER SPECIFICATIONS	
MODEL	MAT12PS
MOTOR	
Single-phase, reversible, thermoprotected	•
HP (kw)	1/2 (.37)
APPROXIMATE WATER USAGE — gal. (liters)	
Factory preset hot cycle average, hot water	6.5 (24.6)
Factory preset average, overall	31.5 (119.2)*
Adjustable setting	29 (109.8)
ELECTRICAL RATING	
FUSE REQUIREMENT	
Amps	15
CYLINDER	
Volume — cu. ft. (liters)	2.5 (70.8)
Diameter — in. (cm)	20 1/2 (52.1)
Depth — in. (cm)	15 (38.1)
DOOR OPENING	
In. (cm)	16 (40.6)
EXTRACT SPEED	
Maximum rpm	618
Maximum g-force	110
OPERATING PRESSURE	
Psi (bar)	15 – 120 (1 – 8)
INLET HOSE LENGTH	
Ft. (m)	4 (1.22)
DRAIN HOSE LENGTH	
Ft. (m)	4 (1.22)
ADJUSTABLE LEVELING LEGS	
COLOR	
White	•
APPROXIMATE WEIGHT — lbs. (kg)	
Crated	224 (102)
Uncrated	198 (90)
*Average based on testing with a 14-pound AHAM load.	
Flush-to-wall installation is permitted by a 1 1/4" (3.2 cm) back panel overhang.	
See specific instructions for proper installation. Because of continuous product improvement, Maytag reserves the right to change specifications without notice.	

*This limited-time Maytag® Extra-Protection 5-Year Warranty offer is available through December 31, 2004.



NEW YORK CITY
M.E.A.

